

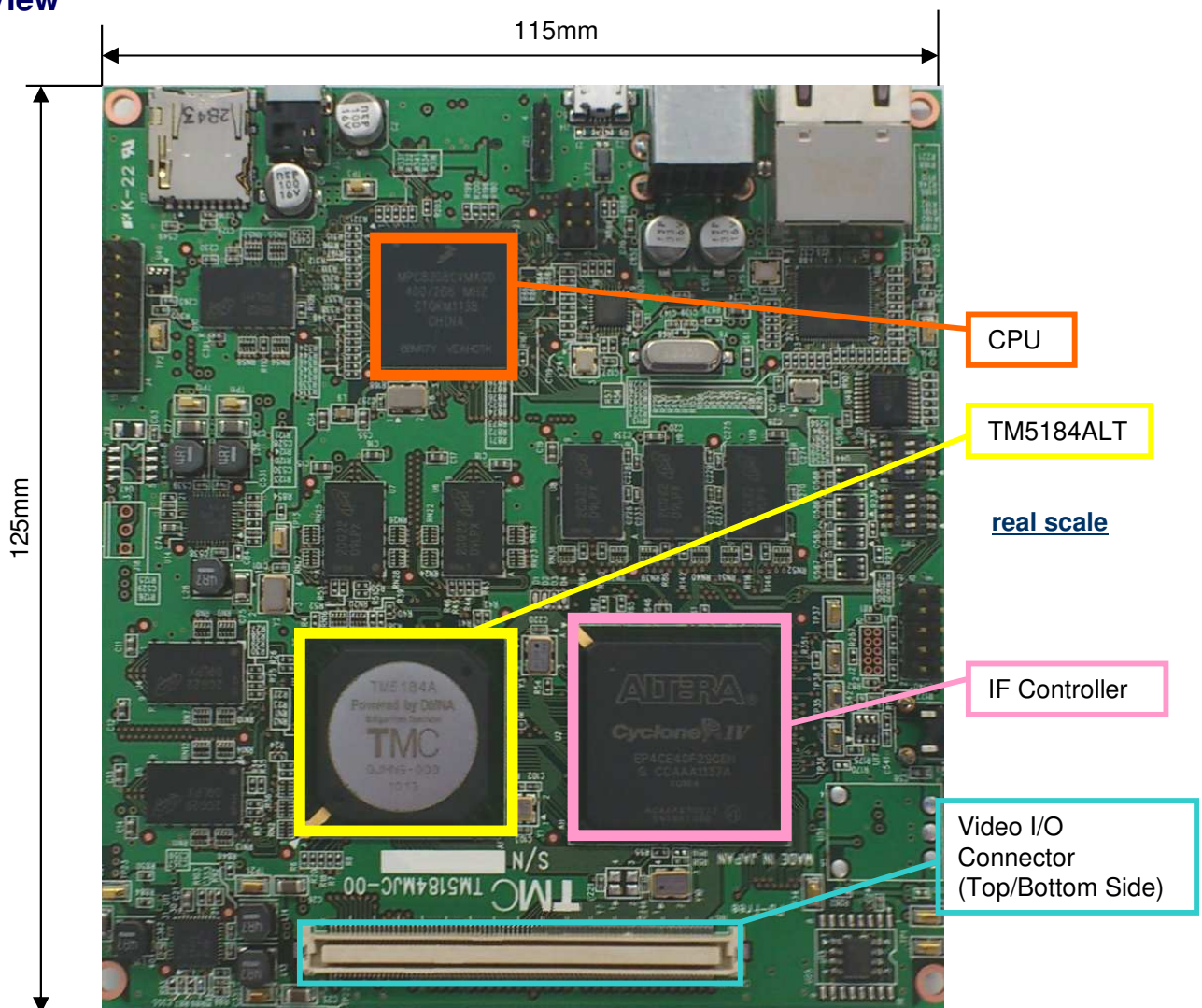
TM5184MJC 1080 60p Codec LSI System Board

Powered by original computing algorithm "DMNA" based on mathematical methods

1 Features

TM5184 system board with CPU (Model Number: TM5184MJC) maximizes the performance of TM5184ALT such as 1080/60p. A combination of TM5184ALT and audio codecs running on a CPU, and various interfaces of the CPU realize, for instance, support a delivery of streaming with multiplexed video and audio. Since TM5184MJC is controlled via the external interface, without any subtle technical knowledge of H.264/AVC, your system can be constructed in a short period of time. In addition, customization is ready to satisfy your needs.

2 Top View



Contact Information

7F, Gotanda NN Bldg., 2-12-19, Nishi-gotanda, Shinagawa-ku, Tokyo 141-0031

Techno Mathematical Co., Ltd.

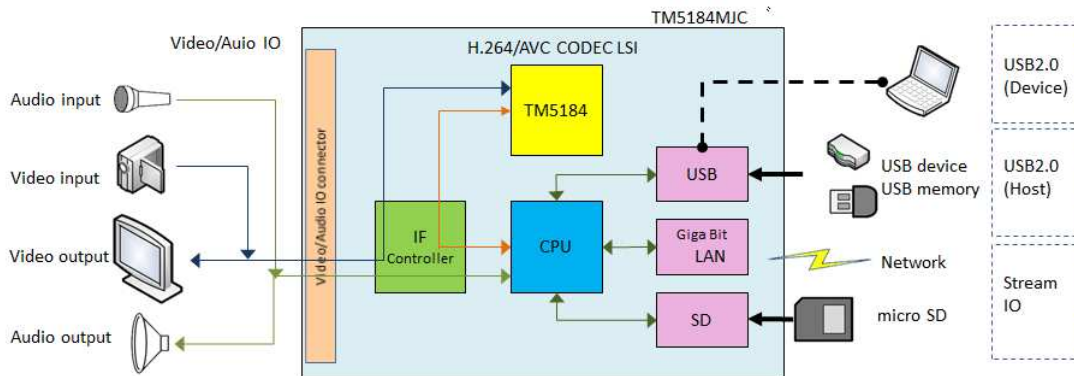
TEL: +81-3-3492-3633

Email: info-sales@tmath.co.jp

FAX: +81-3-3492-3631


URL: <https://www.tmath.co.jp>

3 Block Diagram



4 Specifications

Please direct the inquiries about the sizes of input and output image in detail.

	Standard specifications (*: optional)
OS	Linux Kernel 2.6
Interface	<ul style="list-style-type: none"> Ethernet: 1000BaseT microSD (supporting SDHC, max. 32GB) Optional USB2.0 (Micro USB) Host 2ch or Device 1ch (exclusive)
Input image size	<ul style="list-style-type: none"> 1920x1080/60p : 1ch 1920x1080/60i, 1280x720@60p, 720x480/60p: 2ch NTSC(720x480/60i) : 4ch (*optional up to 8ch)
Output image size	• max 1920x1080/60p: 1ch
Voice/Audio Codec	Linear PCM *Option: Audio codec (ex. AAC) The channel number is the same as video input/output
Multiplex	MPEG2-TS
Dimension	115 (W) x 125 (H) mm without protruding portion
Power Voltage	+ 5V / 1.5A single power
Attached Articles	<ul style="list-style-type: none"> TM5184MJC & dedicated AC adaptor Product Specifications, Interface Specifications Codec middleware API specification Sample application program 

5 Interface Board

NTSC/ 4ch Input Board



DVI/ 2ch I/O Board



Contact Information

7F, Gotanda NN Bldg., 2-12-19, Nishi-gotanda, Shinagawa-ku, Tokyo 141-0031

Techno Mathematical Co., Ltd.

TEL: +81-3-3492-3633

Email: info-sales@tmath.co.jp

FAX: +81-3-3492-3631

URL: <https://www.tmath.co.jp>