

TM7052 FHD Low Latency IP Decoder V-Mount plate equipped type

Original computing algorithm "DMNA" taking advantage of mathematical methods

1 Outline

- This product (TM7052) is a decoder that can be attached to a camera for live broadcasting to check the return feed video transmitted from the TM7006/7 series or TM7407 series encoders in the broadcasting station.
- TM7052 has a built-in LTE communication module, enabling wireless operation. Therefore, crews can avoid troublesome cable handling.

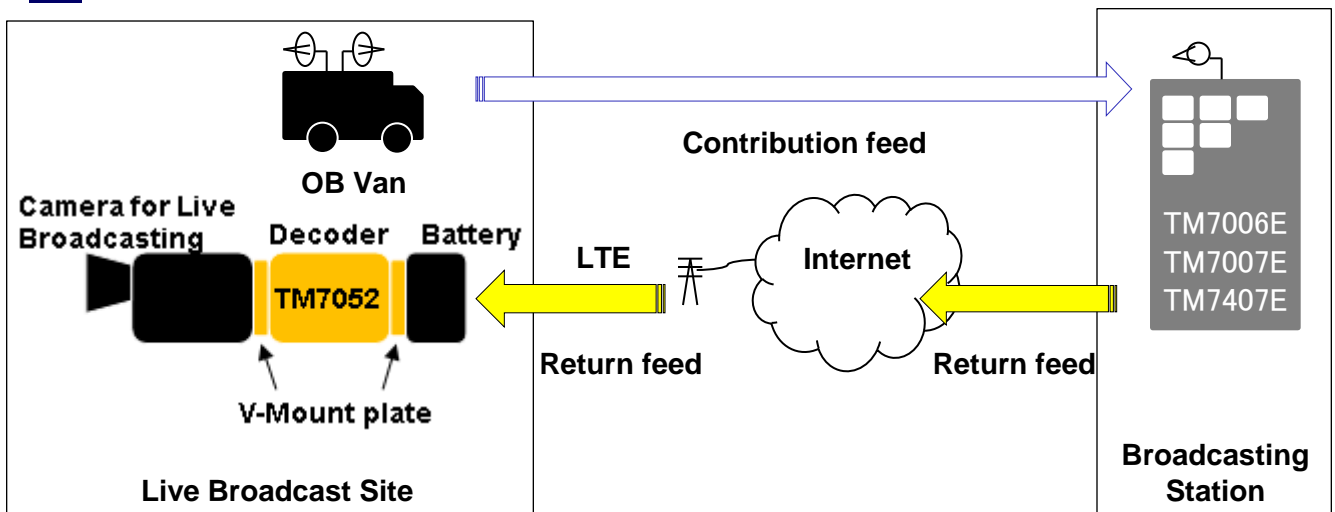


Decoder unit Controller
Appearance of TM7052

2 Features

- Transmitting the Full HD video at low latency as 0.1 second, keeping practical image quality.
- Equipped with a V-Mount plate, TM7052 can be attached to a camera for live broadcasting.
- Built-in LTE module for wireless operation.
- The power can be charged from external batteries or V-Mount camera batteries.
- The camera can be charged the power from TM7052.
- Controllable by the attached controller or from the web browser.

3 System



System configuration

CONTACT

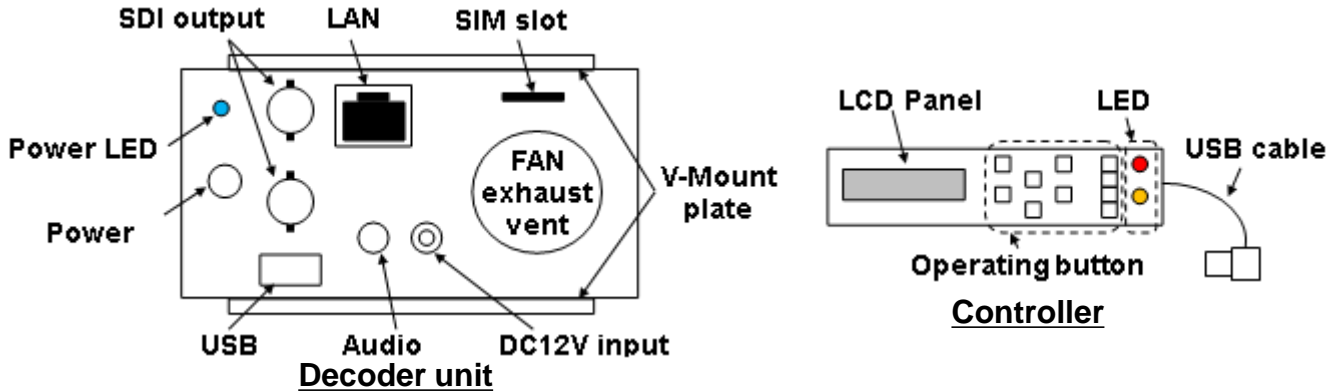
7F, Gotanda NN Bldg., 2-12-19, Nishi-gotanda, Shinagawa-ku, Tokyo 141-0031

Techno Mathematical Co., Ltd.

TEL: +81-3-3492-3633 FAX: +81-3-3492-3631

Email: info-sales@tmath.co.jp URL: <https://www.tmath.co.jp/en/>

4 TM7052 Terminals



5 Specifications

Decoder unit

General	Power Supply	DC12V input x2 (Bottom power terminal, V-Mount plate battery terminal)		
	Power Consumption	12.5W (Typ.)		
	External Dimension	4.33(W) x 7.09(H) x 2.36(D) inches		
	Weight	2.43 lbs		
Network	Format	LTE (Wireless), Ethernet (Wired)		
	Transmission IP Rate	64kbps to 3Mbps		
Video	Output Interface	HD-SDI x2		
	Output Resolution, Frame Rate	1920 x 1080 (60p / 59.94p / 50p), 1920 x 1080 (60i / 59.94i / 50i), 1280 x 720 (60p / 59.94p / 50p), 720 x 480 (59.94i), 720 x 576 (50i)		
	Codec	TMC original codec		
	Coding Bit Rate	64kbps to 3Mbps		
	Coding Frame Rate	10 / 20 / 30 / 60 fps	1280 x 720, 60p / 59.94p input	
		10 / 20 / 30 / 50 fps	1280 x 720, 50p input	
5 / 10 / 15 / 25 fps		50i input		
5 / 10 / 15 / 30 fps	others			
Audio	Output Interface	HD-SDI x2, 3.5Φ stereo mini jack		
	Codec	OPUS		
	Coding Sampling Rate	24kHz / 48kHz (Output is 48kHz only)		
	Number of Coding Channels	None / 1ch. / 2ch.		
	Coding Bit Rate	16 / 32 / 64 / 128 / 192 kbps		
Other	LAN Connector	Used to transmit Tally signals and camera control signals.		

Controller

General	External Dimension	1.97(H) x 7.09(W) x 0.98(D) inches ※not incl. USB cable
	Weight	0.88 lbs ※Incl. USB cable
Interface	Display	LCD Panel, Error LED, Warning LED
	Operating Button	Arrow button x4, MENU button x1, ENTER button x1, Preset button x4

※Specifications are subject to change without notice.

CONTACT

7F, Gotanda NN Bldg., 2-12-19, Nishi-gotanda, Shinagawa-ku, Tokyo 141-0031

Techno Mathematical Co., Ltd.

TEL: +81-3-3492-3633 FAX: +81-3-3492-3631

Email: info-sales@tmath.co.jp URL: <https://www.tmath.co.jp/en/>